

# BRIEF INSTRUCTION

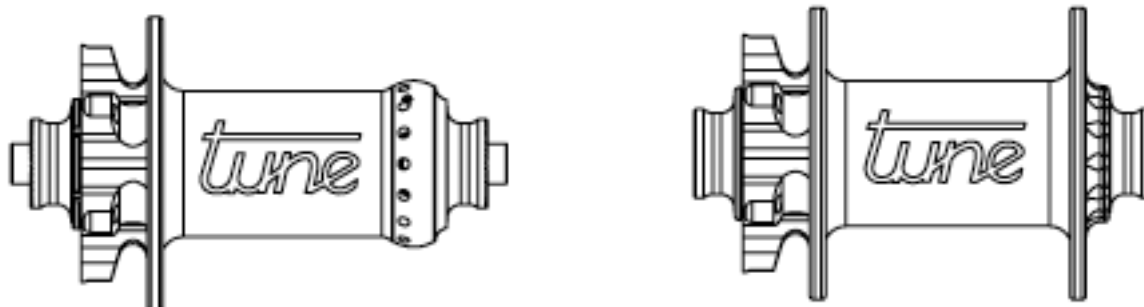
## Front Hub KING / PRINCESS / PRINCESS SKYLINE

The logo for 'tune' is written in a white, lowercase, cursive font with a thin black outline, set against a dark green background.

BORN IN THE BLACK FOREST BUILT TO ENJOY NATURE  
as of May 2015

This brief instruction includes the most important informations about your Tune hub. A more detailed manual, including a graphic maintenance instruction can be found under [www.tune.de/en/manual](http://www.tune.de/en/manual).

Number of holes	24 / 28 / 32
Disc mount	6-hole (IS2000)
Hub spacing	100 mm (QR5 / QR15)
Axle diameter	17 mm
Colours	black, silver, red, gold, blue, green, orange, froggy-green and white (powder-coated, Princess and Princess Skyline not in white)
Bearings	2 specific Tune grooved ball bearings (2 x 61803)
Weight limit	none



## Instructions

### General:

- Before every ride, make sure that your tune product is in a good condition and functioning properly. If there seems to be any irregularities the product should not be used. Contact your retailer for help.
- The Quickrelease resp. the Thru-axle must be mounted properly.
- Never clean your Tune products directly with high water pressure (pressure cleaner) and do not use aggressive detergents.
- Only use tires that suit the rim, pay attention not to exceed the maximum tire pressure of the rim and tire.

## Maintenance:

The hub should be maintained at least once a year. If used in extreme conditions (rain, mud, salted streets, transport in the rain) regularly the hub must be maintained more often. A regular service supports the technical condition, as well as the durability of the hub. You can maintain your Tune hub yourself, a detailed manual, including graphic instructions can be found online under <http://www.tune.de/en/manual>.

## Installation of the brake disc:

- The disc brake must be mounted with a tension of 4-5 Nm.
- Possible old thread-locking remains must be removed before mounting the brake disc.

## Lacing:

The Tune hub must not be laced radially (**Exception:** The right side of the **Princess Skyline** hub must be laced radially) . Triple crossed spokes are optimal, however they must be crossed at least twice. It's allowed to tie the spoke crossings with carbon The construction of twisted laced or tied and soldered spoked wheels is forbidden.

## **Specialities for the Princess Skyline:**

To lace the hub the left bearing and the axle have to be removed. To simplify the spoke replacement the left bearing is not glued in. If only single spokes get replaced on the right side the tension of all spokes on has to be lowered, to relieve the flange.



### **KING:**

The highest permitted spoke tension is **1100 N**.



### **PRINCESS and PRINCESS SKYLINE:**

The highest permitted spoke tension is **1200 N**.

Pitch circle diameter Ø (l / r)	King /Princess: 55,5 / 55,5 mm Princess Skyline: 55,5 / 28,2 mm
Distance hub flange to wheel center line (l / r)	King / Princess: 23,0 / 34,1 mm Princess Skyline: 22,8 / 32,5 mm
Spoke hole diameter Ø	2.4mm

## Service

---

### Warranty:

Tune grants a two year warranty from the date of purchase on material defects and production errors. On bearings, rims and spokes we grant a one year Warranty, as these are wear parts. Claims can only be made if a copy of an original dealer invoice is presented.

There is no claim for warranty services in case of:

- normal wear
- improper use or careless treatment
- disregard of service instructions
- inappropriate repair, assembly, or maintenance works or negligence
- defects caused by wrong wheel building (spoke patterns, spoke crossings, spoke tension, etc.)

Warranty claims have to be sent to the local Tune distributor and are subject to the assessment of Tune. Based on this warranty, the company Tune is not liable for compensation, especially not for indirect damage caused by accidents, collateral damage and consequential damage. All anodized parts can bleach in sunlight.

### Crash Replacement:

Tune offers a Crash Replacement in addition to the legal warranty. The service can be engaged if your Tune product is damaged and not be rideable any more, due to a crash, accident or overload .

### Conditions:

- Due to our huge products variety, the discount we can give, is assessed individually for every case.
- The damaged part is replaced by the same model. Tune reserves the right to replace the damaged part with an equal alternative.
- The damage has to affect the functionality of the component (optical damage is excluded).
- Damaged parts pass into the ownership of Tune.
- The Crash Replacement offer does not cover the costs of transport and labour.

Tune U. Fahl e.K.  
Im Mittelfeld 18 | 79426 Buggingen

service@tune.de  
www.tune.de

Outside of Germany please contact your local distributor.



**BORN IN THE BLACK FOREST BUILT TO ENJOY NATURE**