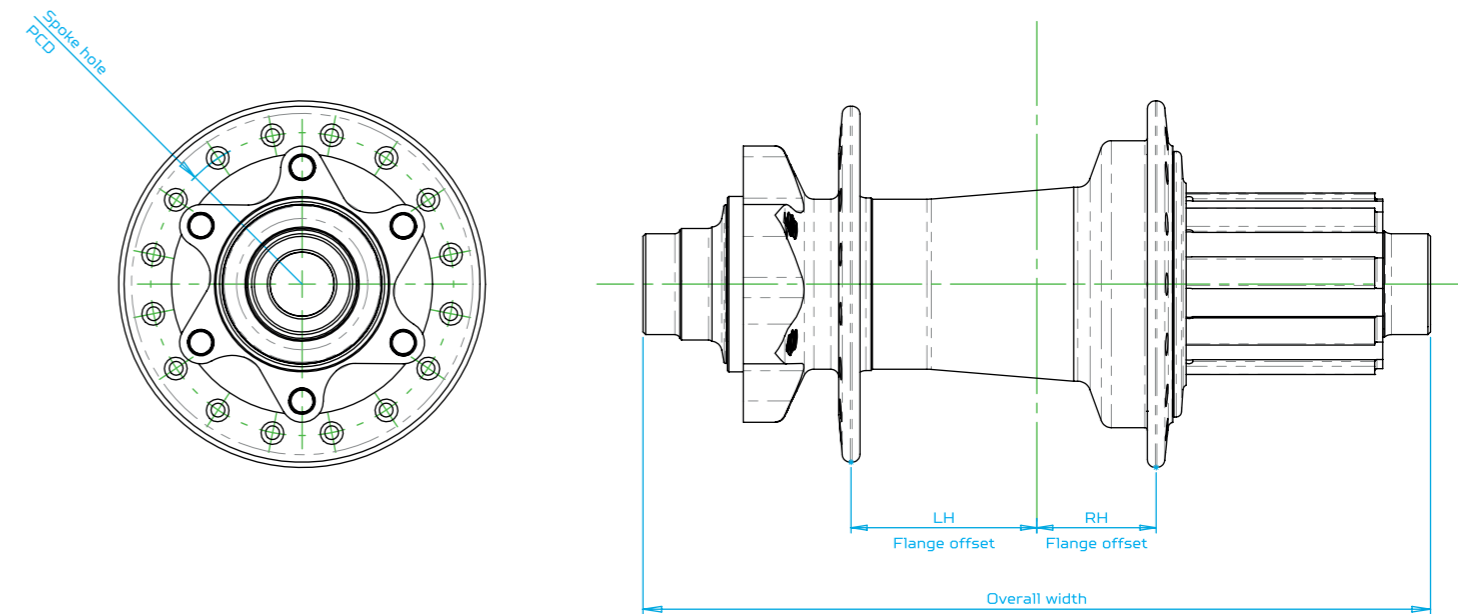
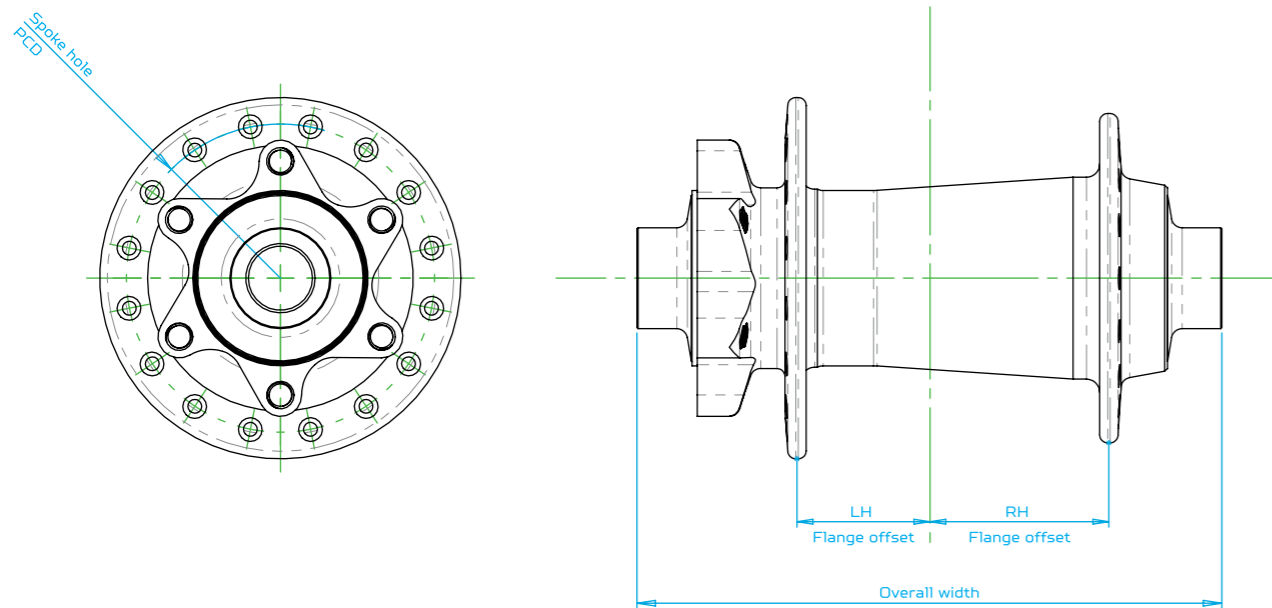


PRO5

- 003 | HUB DIMENSIONS | SPOKE HOLE PCD AND FLANGE OFFSET TABLE
- 004 | FRONT HUB ASSEMBLIES | STANDARD_100mm / BOOST_110mm / 100mm_CENTRE_LOCK / 110mm_CENTRE_LOCK
- 008 | REAR HUB ASSEMBLIES | 135mm / 148mm / 150mm / 157mm / 135mm_CENTRE_LOCK / 148_CENTRE_LOCK / E-BIKE_148 / SINGLE_SPEED/TRIALS
- 016 | FREEHUB ASSEMBLIES | HG_108 / E-BIKE_HG_54 / MICRO_SPLINE_108 / E-BIKE_MICROSPLINE_54 / XD/XDR_108 / E-BIKE_XD_54
- 023 | HUB RANGE | Explore our complete range of hubs.
- 025 | HUB CONVERSIONS | Use this table to find your hub and the available conversion kits.
- 026 | SERVICE TOOLS | Hope hubs are simple to service using the appropriate tools. Use this table as a reference for which tool is required for each bearing.



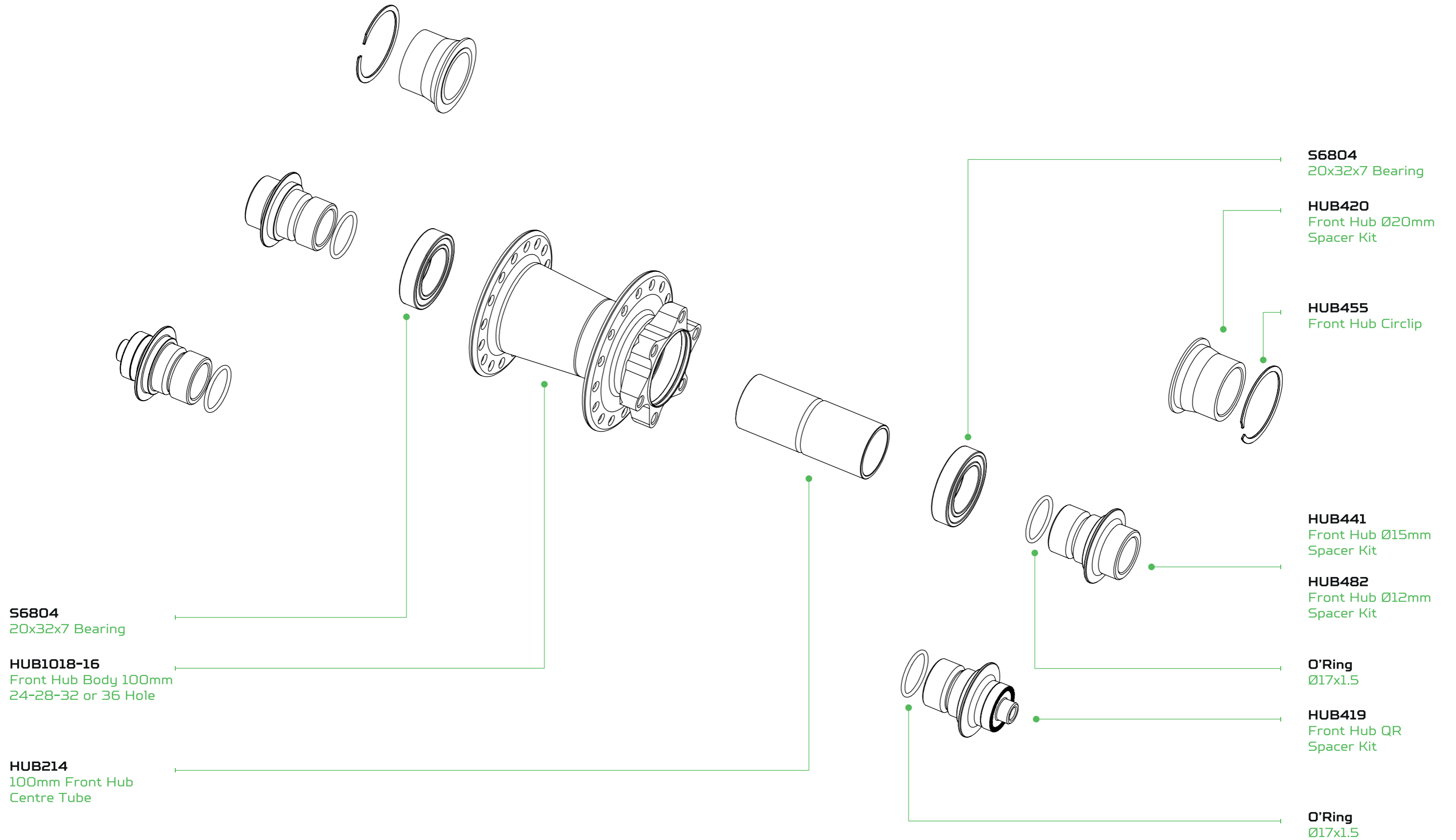
FRONT	Hub Model	Spoke Hole PCD		Flange Offset	
		LHS (NDS)	RHS (DS)	LHS (NDS)	RHS (DS)
	PRO5 Front 100 6 Bolt	58	52	20	34
	PRO5 Front 110 6 Bolt	58	52	25	34
	PRO5 Front 100 CL	43	43	22	33
	PRO5 Front 110 CL	43	43	27	35.6
	PRO5 Front 100 CL SP	46	46	21	33
	PRO5 Front 110 CL SP	46	46	26	33

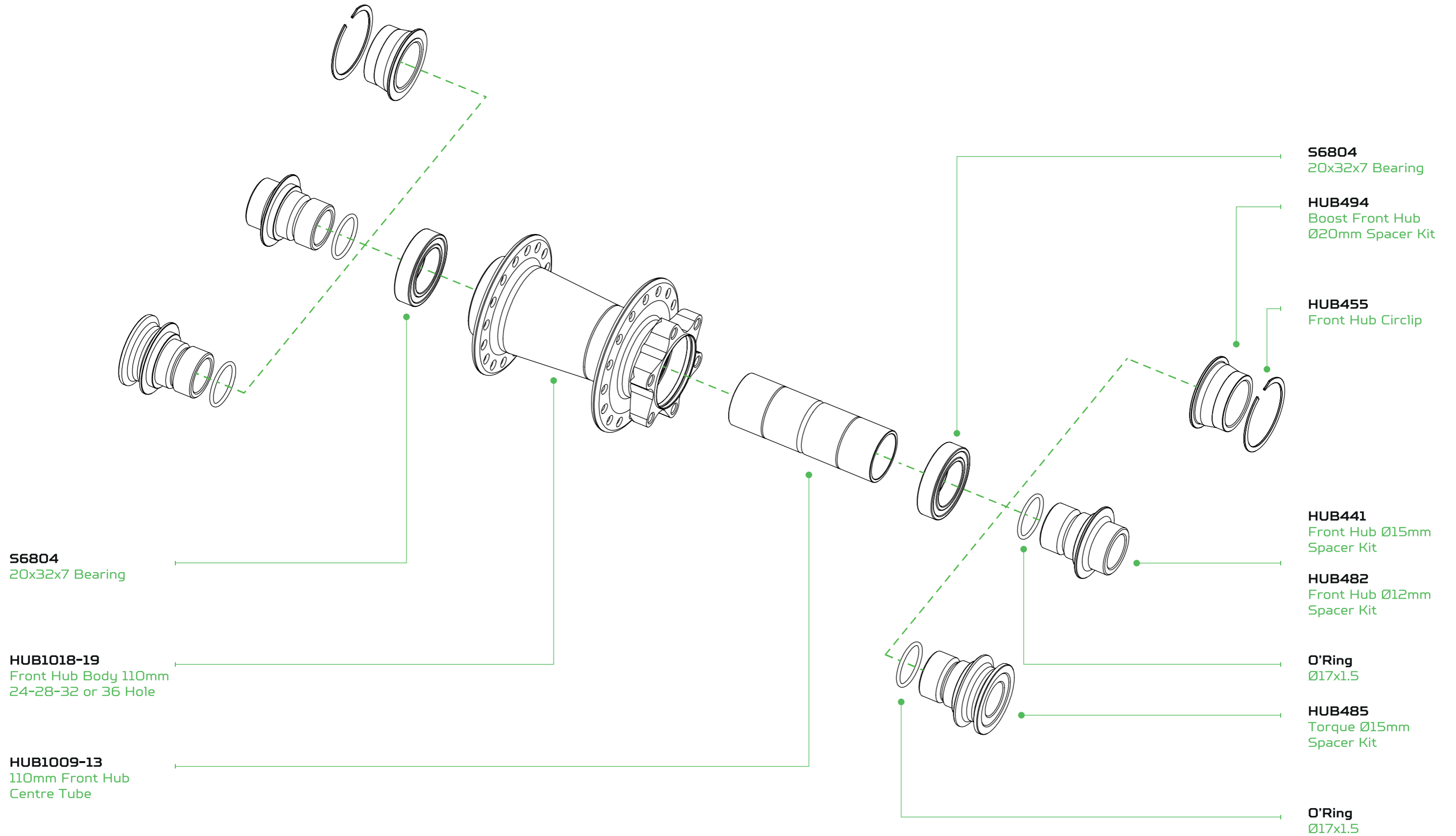
REAR	Hub Model	Spoke Hole PCD		Flange Offset	
		LHS (NDS)	RHS (DS)	LHS (NDS)	RHS (DS)
	PRO5 Rear 135 6 Bolt	57	59	32	19.6
	PRO5 Rear 148 6 Bolt	57	59	35	22.6
	PRO5 Rear 150 6 Bolt	57	59	28	26.8
	PRO5 Rear 157 SB 6 Bolt	57	59	39.6	27
	PRO5 Rear SS T 6 Bolt	57	59	32	30.6
	PRO5 Rear 135 CL	51	59	32	19.6
	PRO5 Rear 148 CL	51	59	35	22.6
	PRO5 Rear 135 CL SP	46	61	31.5	17.5
	PRO5 Rear 148 CL SP	46	61	34.5	21

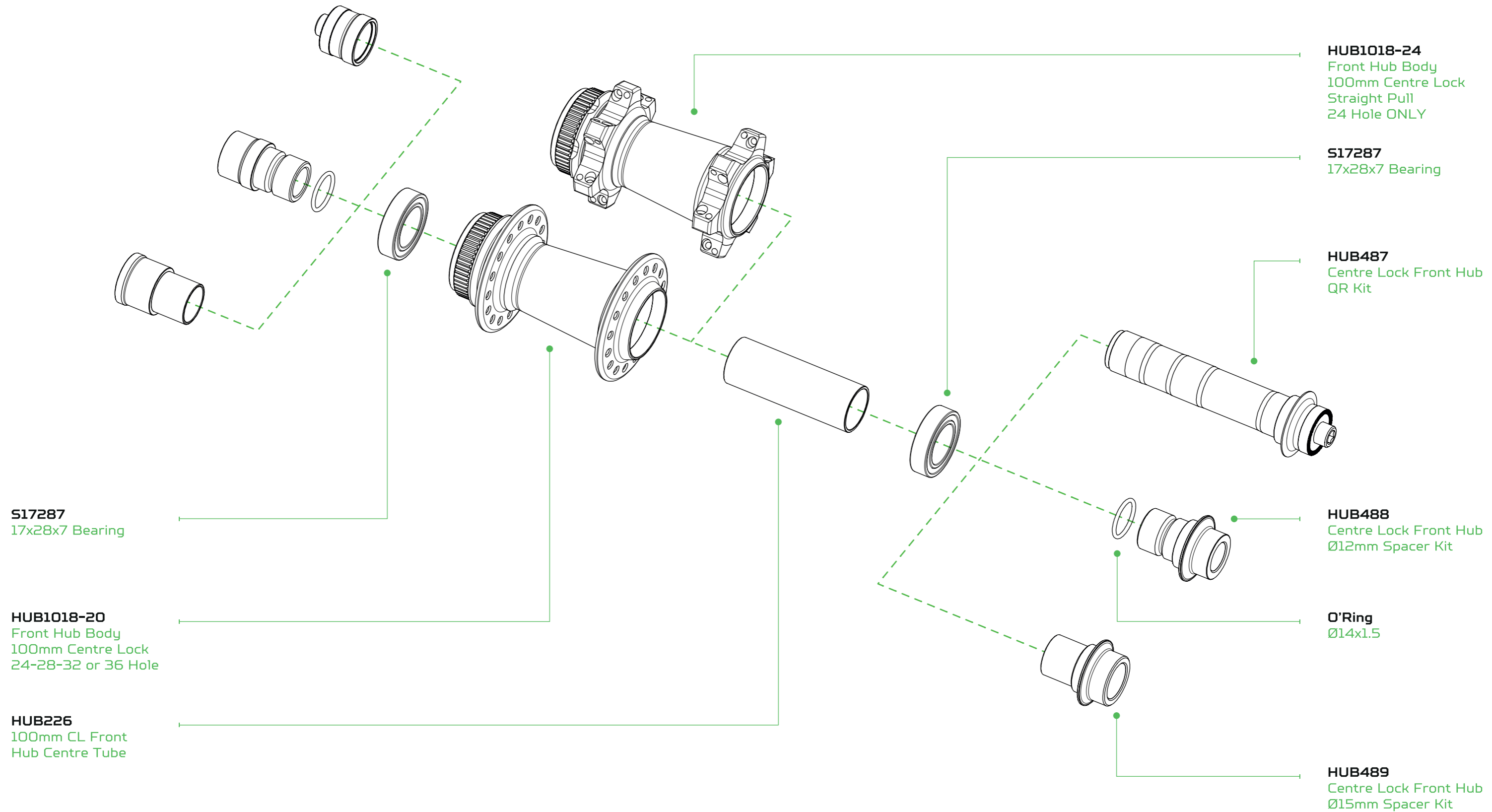


PRO5 FRONT HUB ASSEMBLY STANDARD_100mm

PRO5





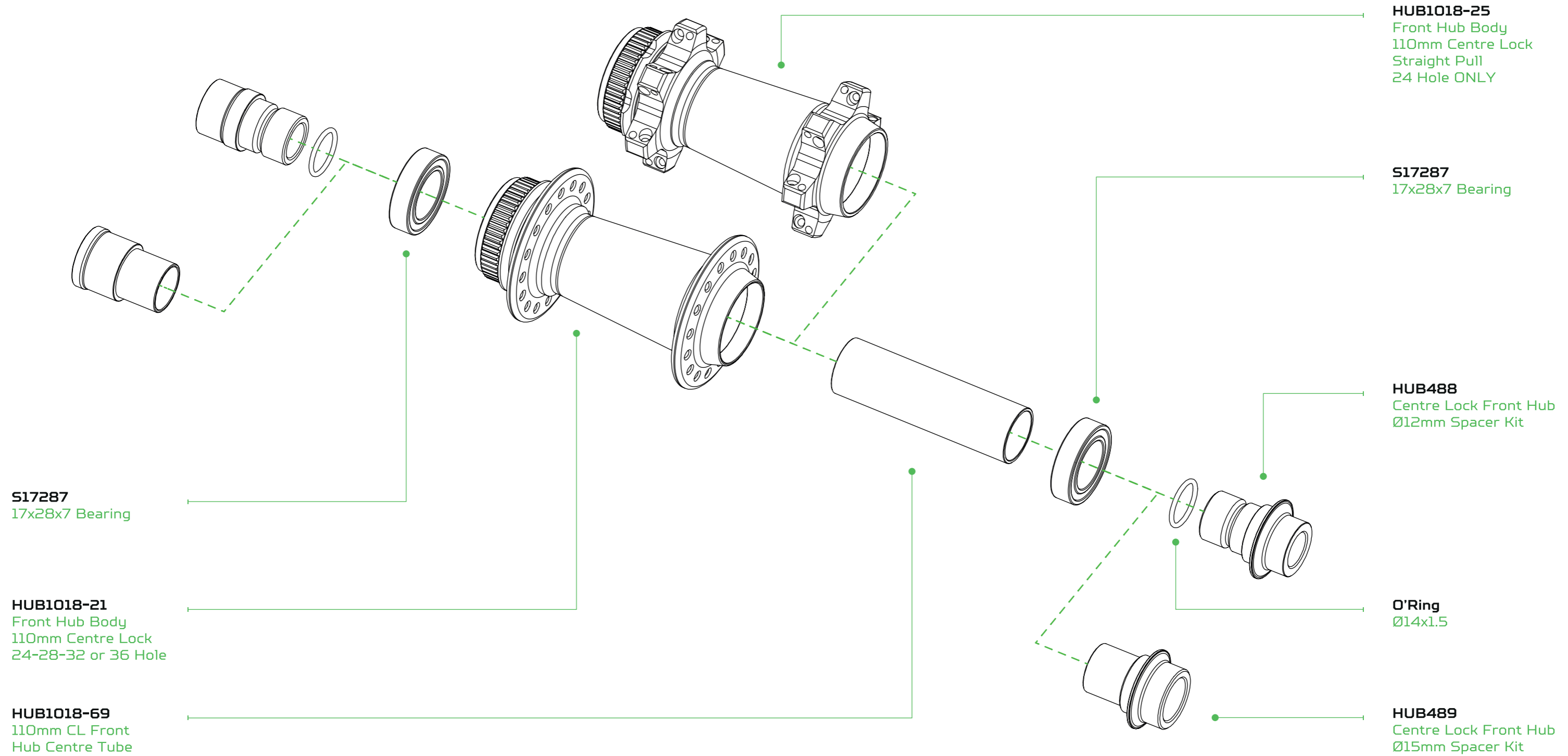




PRO5 FRONT HUB ASSEMBLY

110mm_CENTRE_LOCK

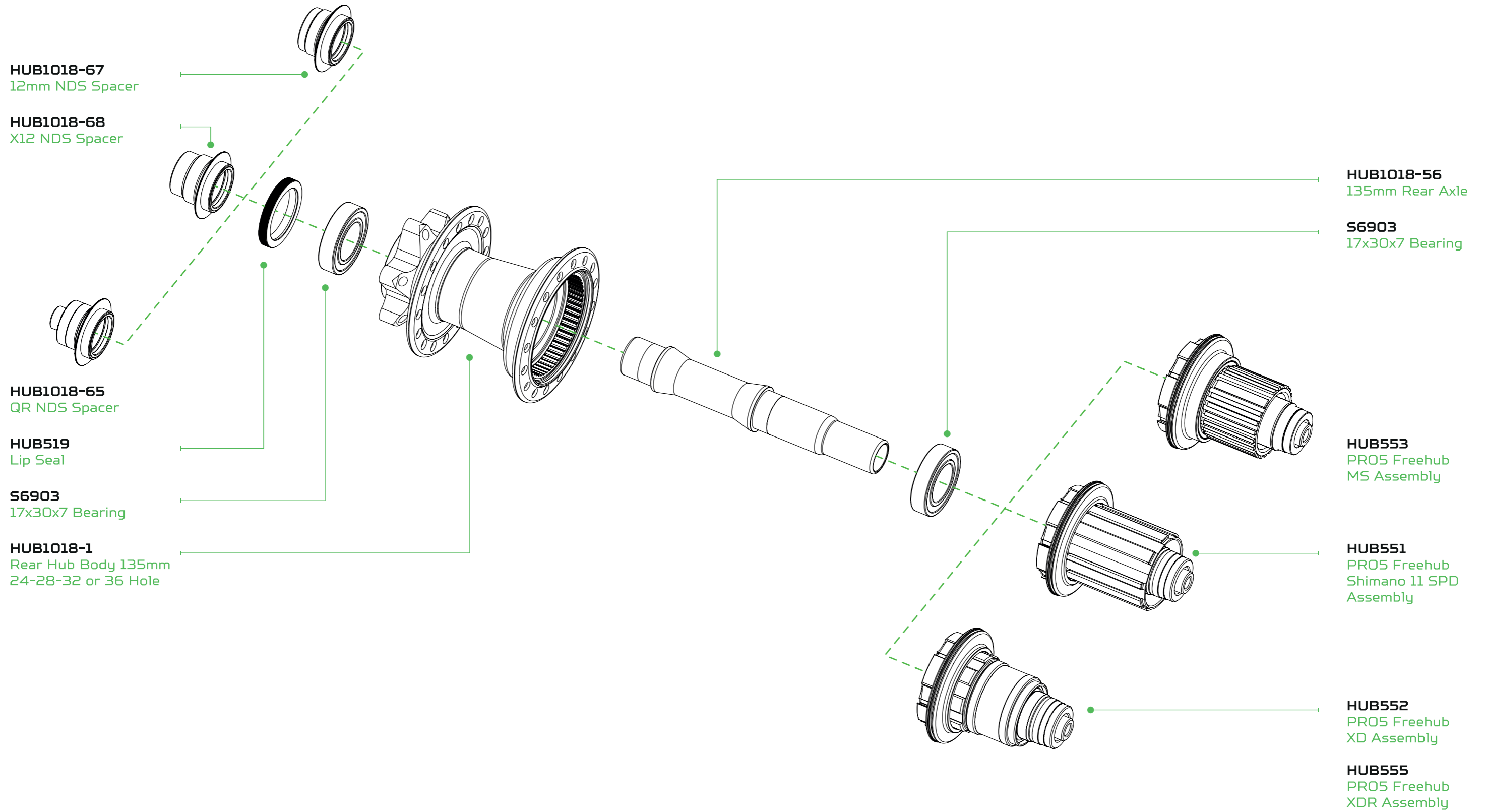
PRO5





PRO5 REAR HUB ASSEMBLY 135mm

PRO5



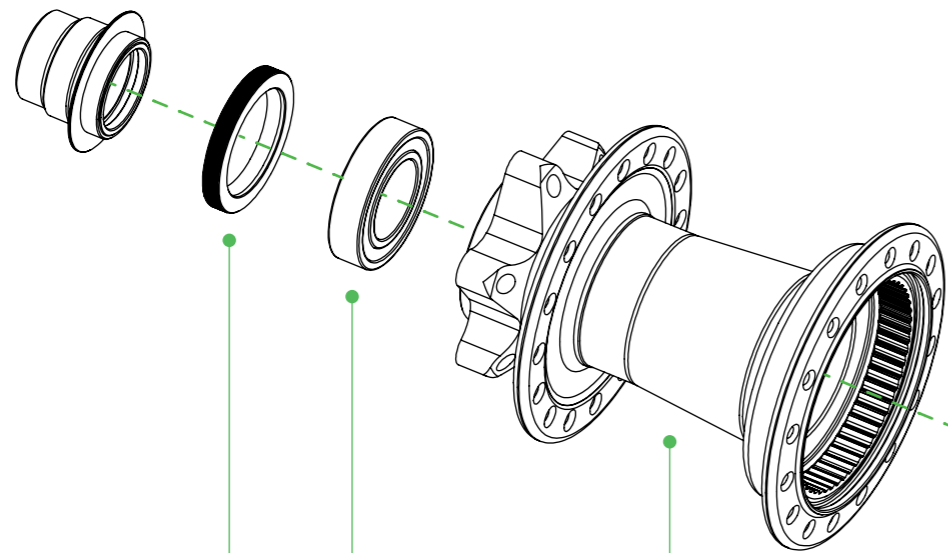


PRO5 REAR HUB ASSEMBLY

148mm

PRO5

HUB1018-68
X12 NDS Spacer



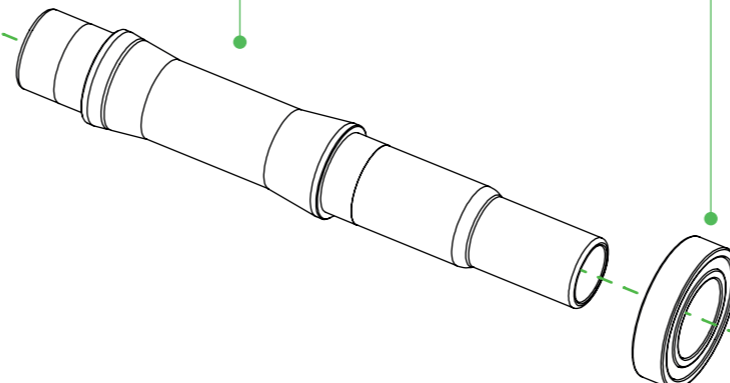
HUB519
Lip Seal

S6903
17x30x7 Bearing

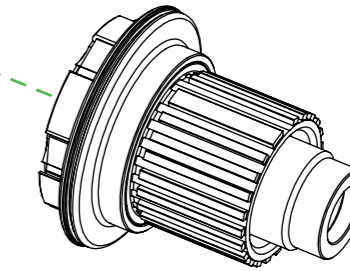
HUB1018-2
Rear Hub Body 148mm
24-28-32 or 32 Hole

HUB1018-58
148mm Rear Axle

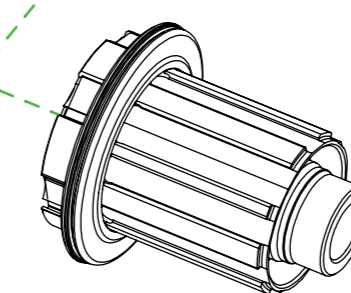
S6903
17x30x7 Bearing



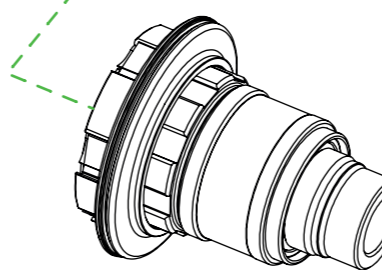
HUB553
PRO5 Freehub
MS Assembly



HUB551
PRO5 Freehub
Shimano 11 SPD
Assembly



HUB552
PRO5 Freehub
XD Assembly

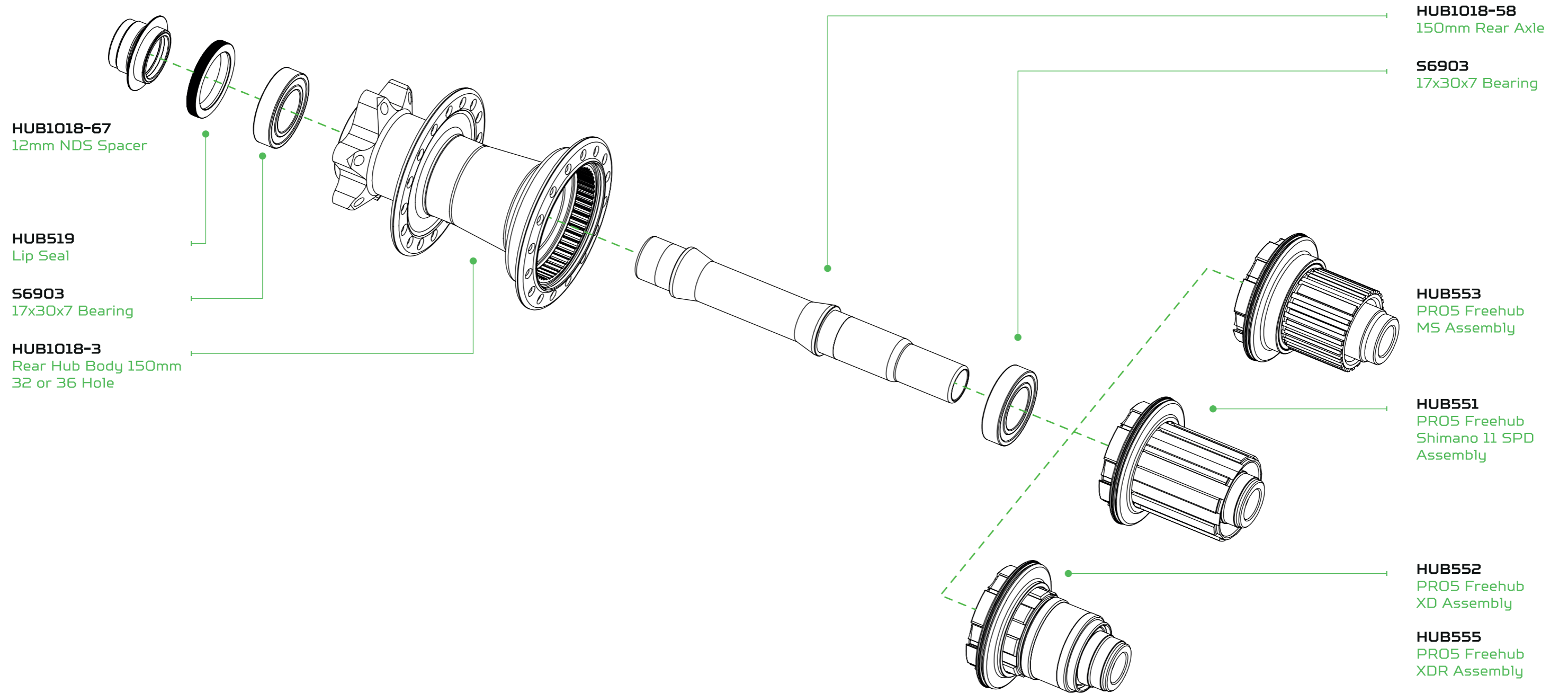


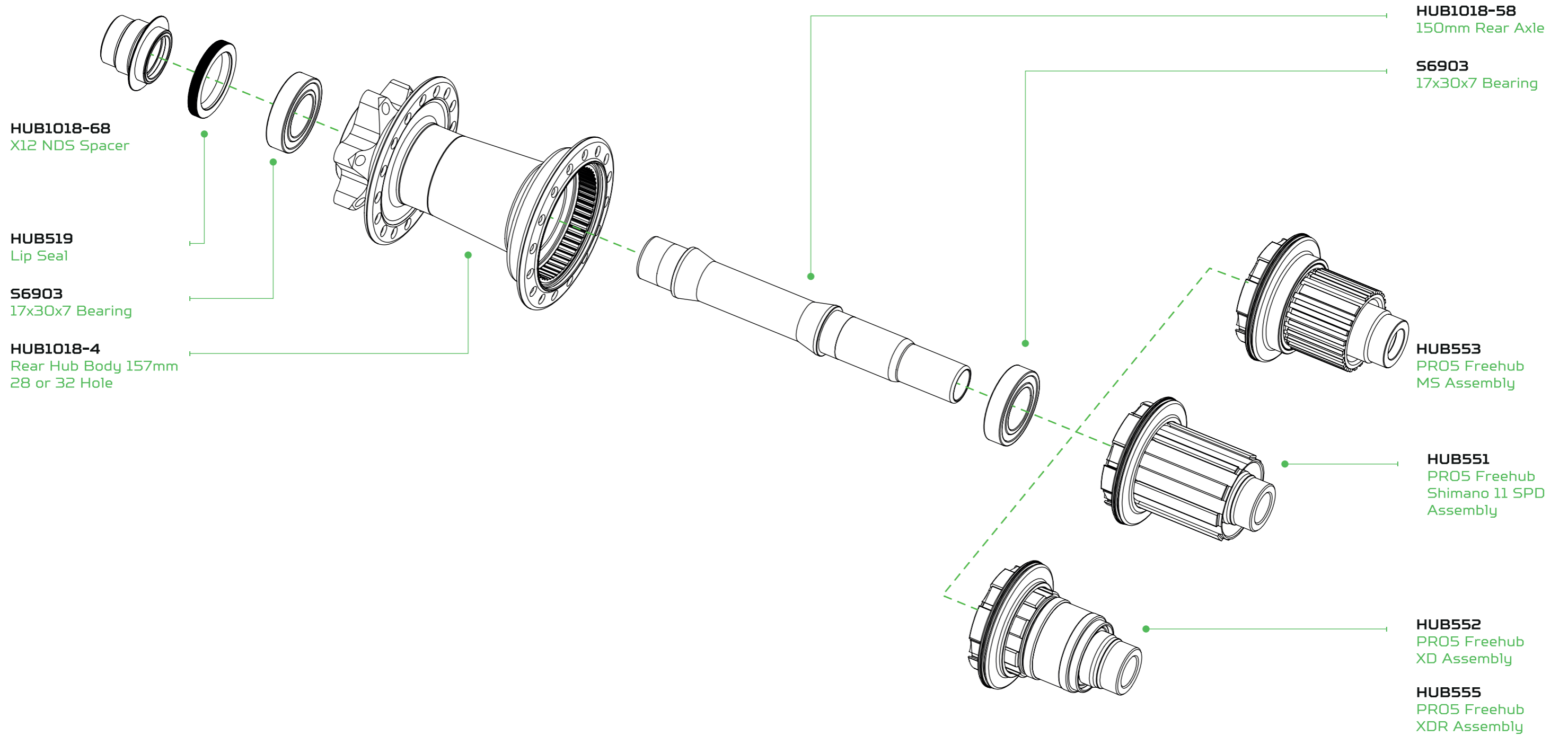
HUB555
PRO5 Freehub
XDR Assembly



PRO5 REAR HUB ASSEMBLY 150mm

PRO5

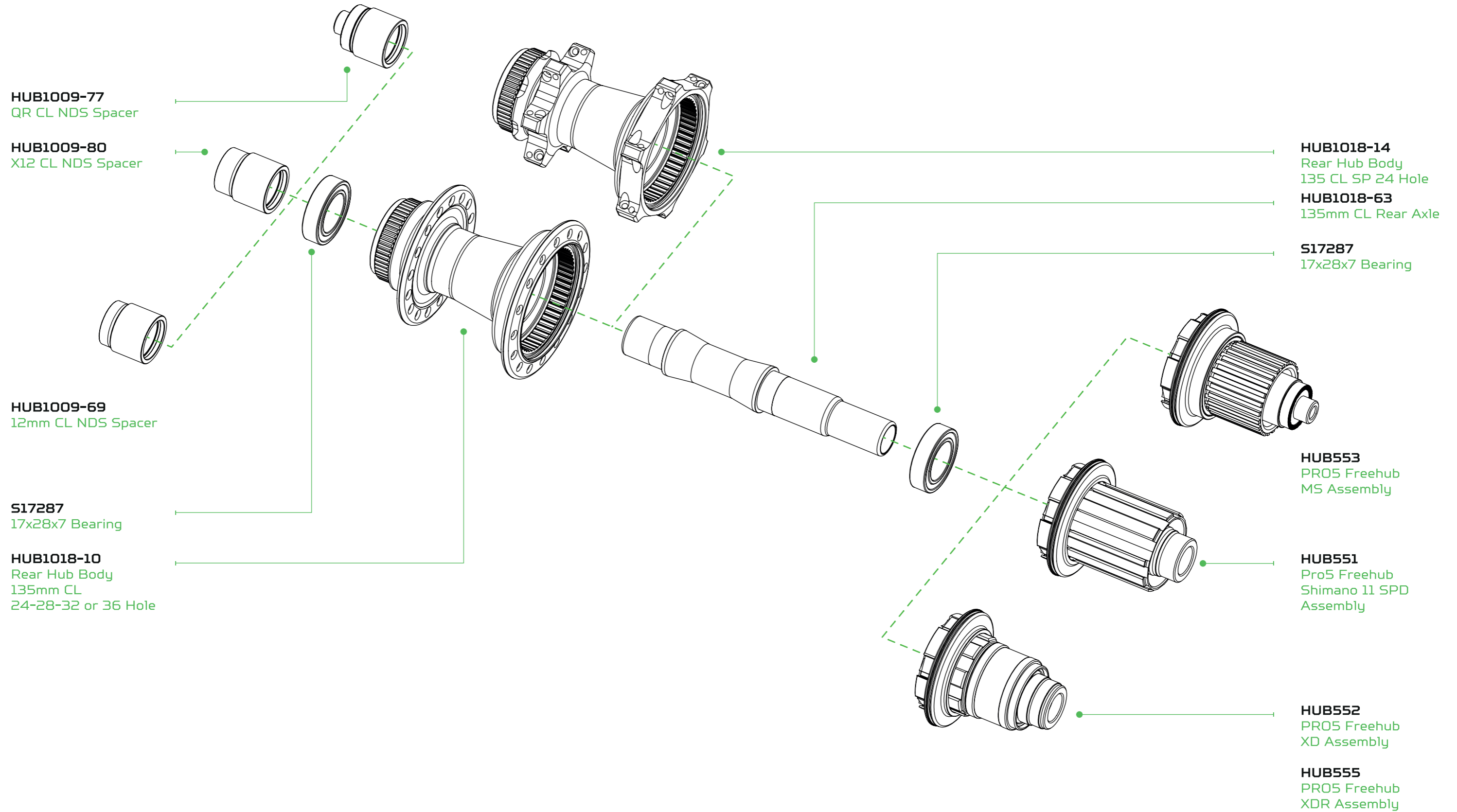


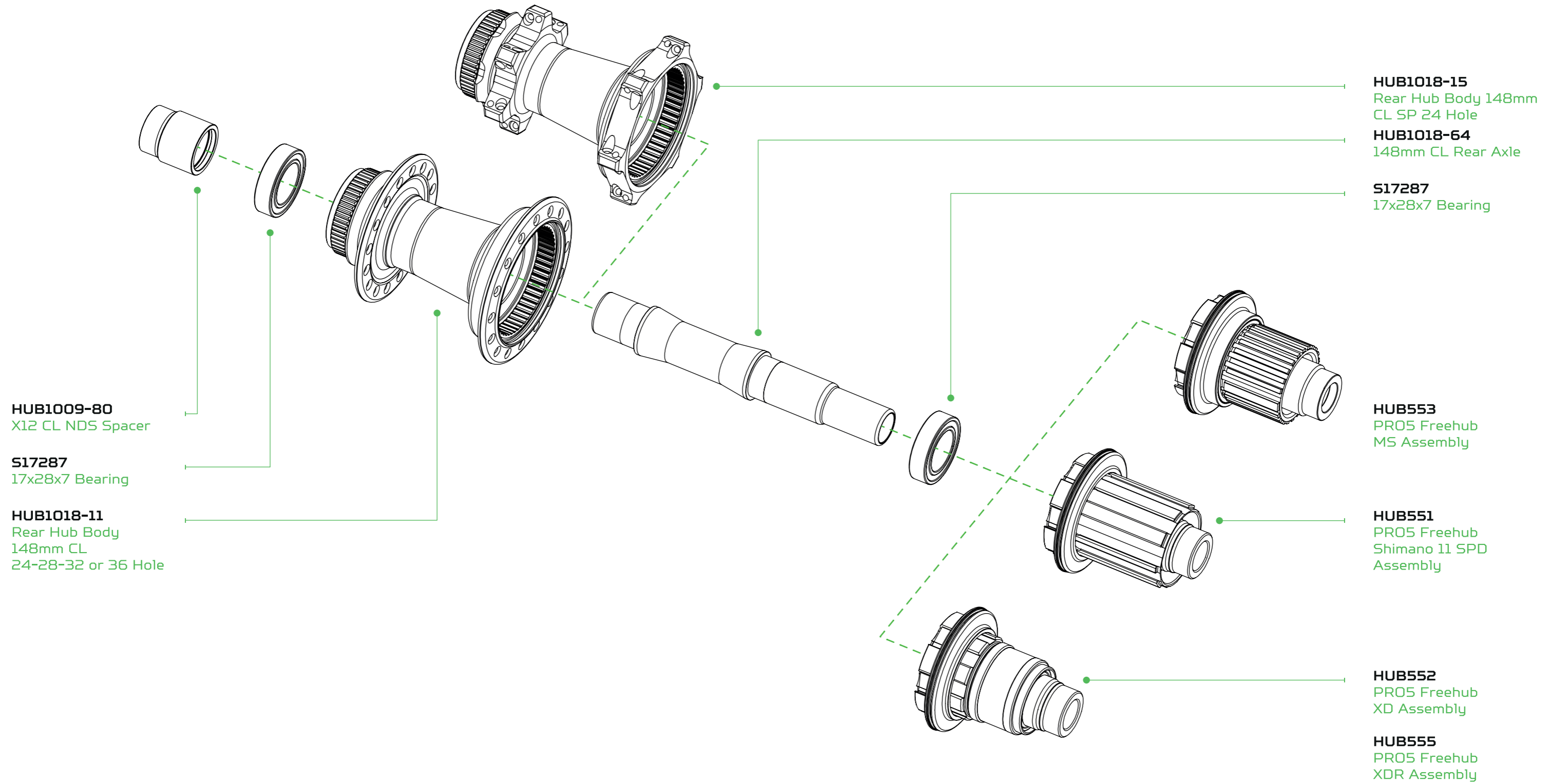




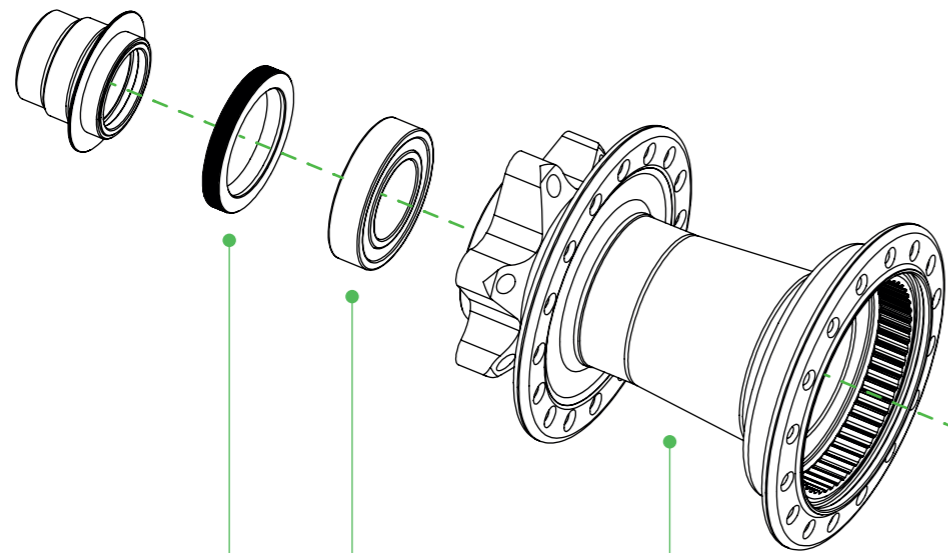
PRO5 REAR HUB ASSEMBLY 135mm_CENTRE_LOCK

PRO5





HUB1018-68
X12 NDS Spacer



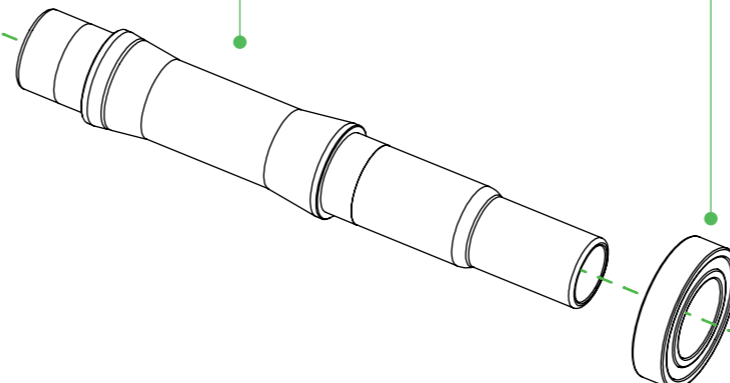
HUB519
Lip Seal

S6903
17x30x7 Bearing

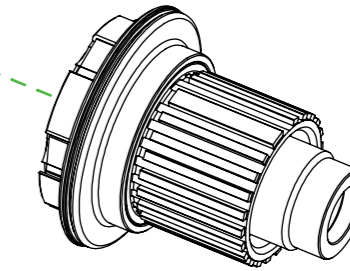
HUB1018-2-32E
Rear Hub Body 148mm
32 Hole ONLY

HUB1018-58
148mm Rear Axle

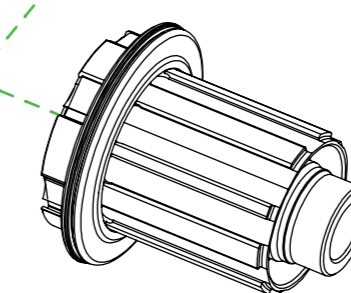
S6903
17x30x7 Bearing



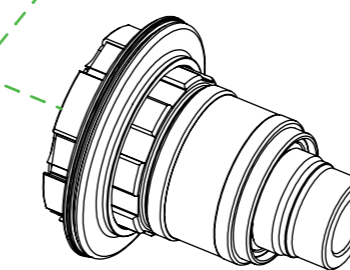
HUB558
PRO5 Steel Freehub
MS Assembly



HUB556
PRO5 Steel Freehub
Shimano 11 SPD
Assembly



HUB557
PRO5 Steel Freehub
XD Assembly





PRO5 REAR HUB ASSEMBLY SINGLE SPEED/TRIALS

PRO5

HUB1018-65
QR NDS Spacer

HUB1018-68
X12 NDS Spacer

HUB1018-67
12mm NDS Spacer

HUB459
10mm NDS Spacer

HUB439
10mm Serrated
Washer

M1040SS
M10 Cap Head

HUB519
Lip Seal

S6903
17x30x7 Bearing

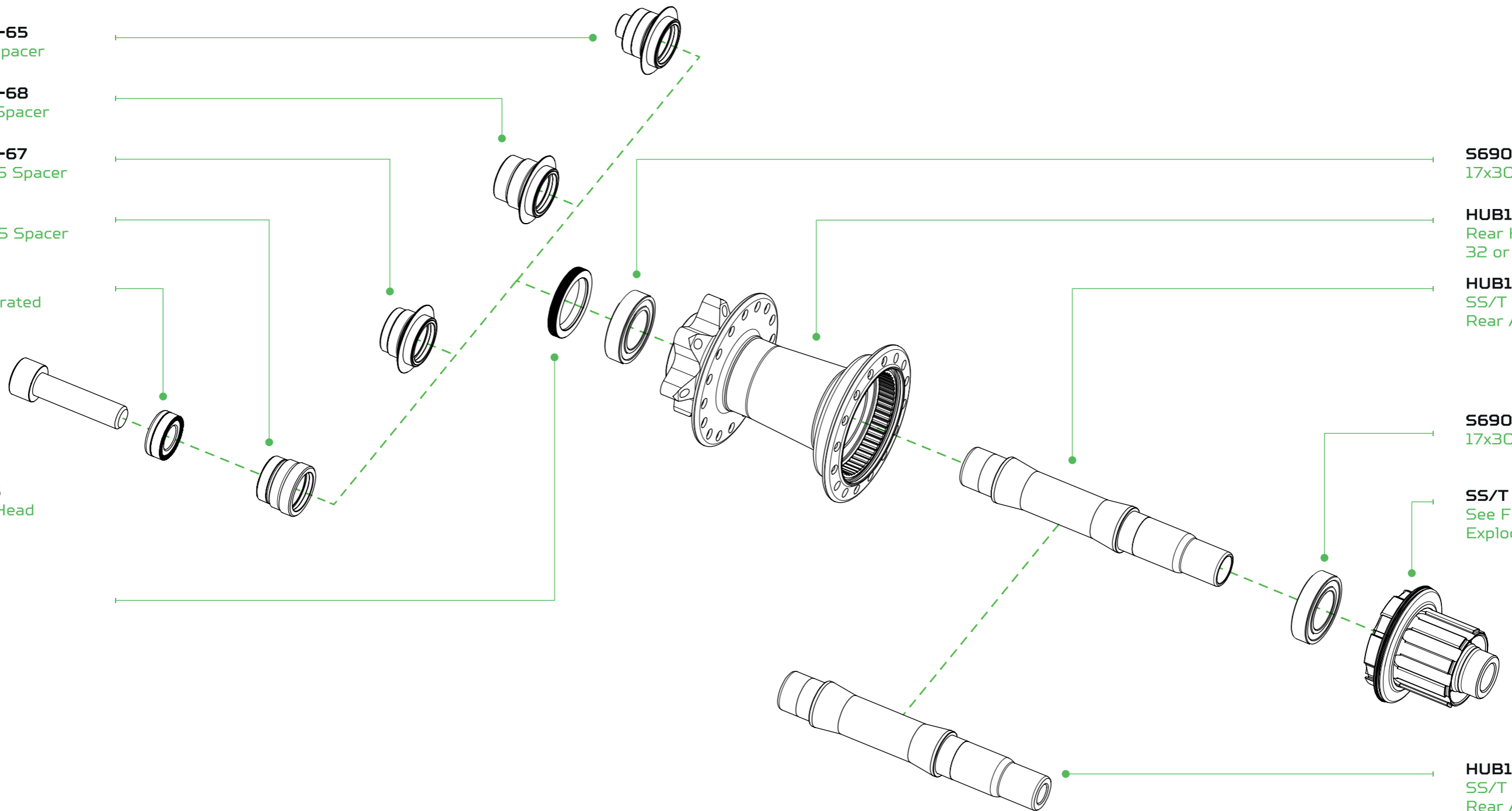
HUB1018-7
Rear Hub Body SS/T
32 or 36H

HUB1018-62
SS/T Ø12mm
Rear Axle

S6903
17x30x7 Bearing

SS/T Freehub
See Freehub
Exploded View

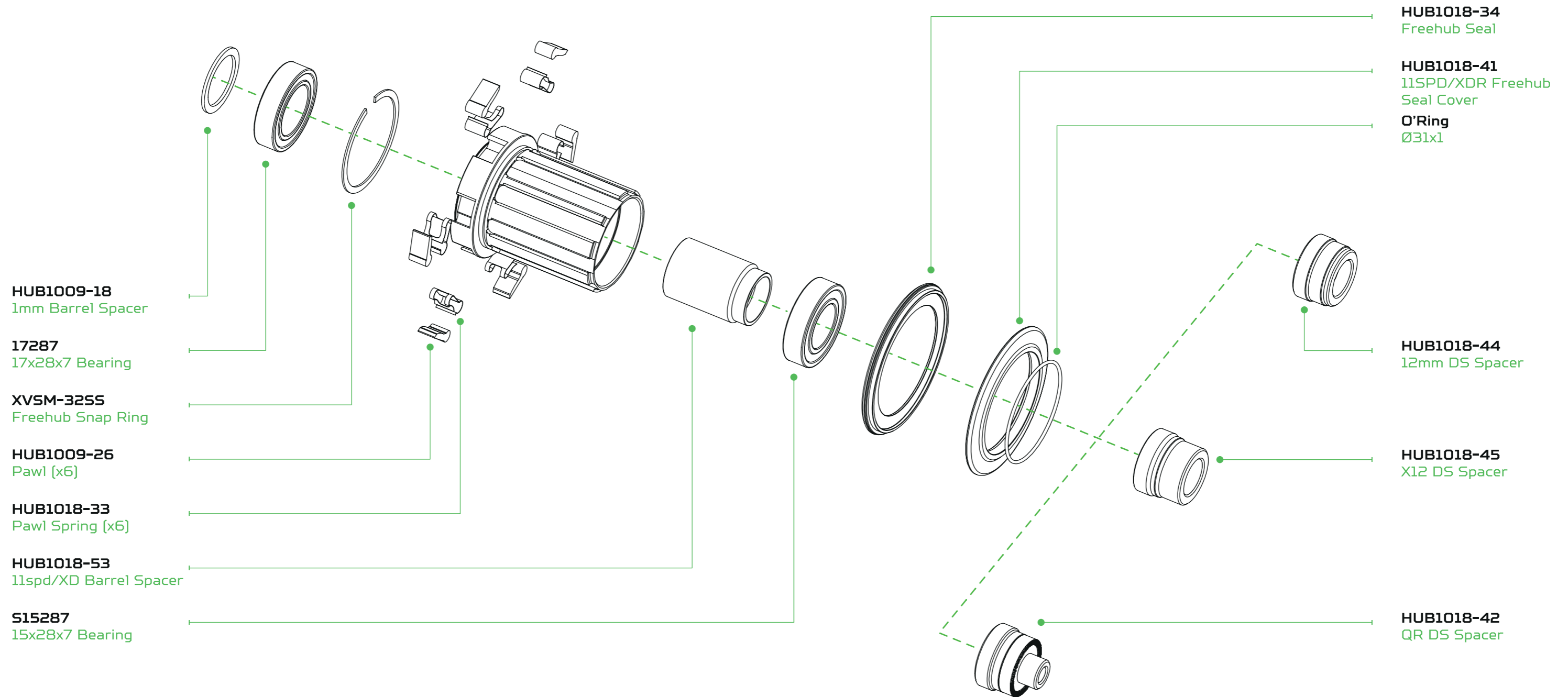
HUB1018-61
SS/T M10
Rear Axle



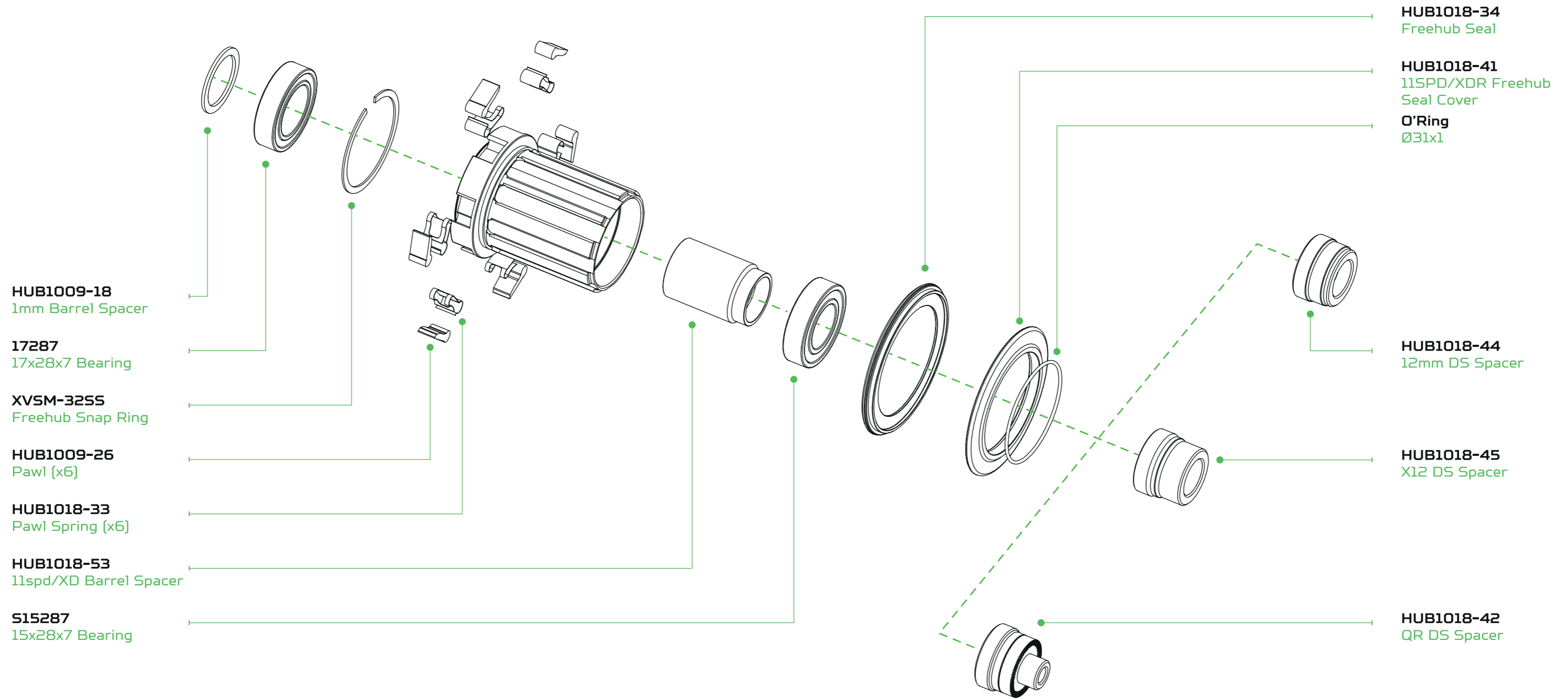


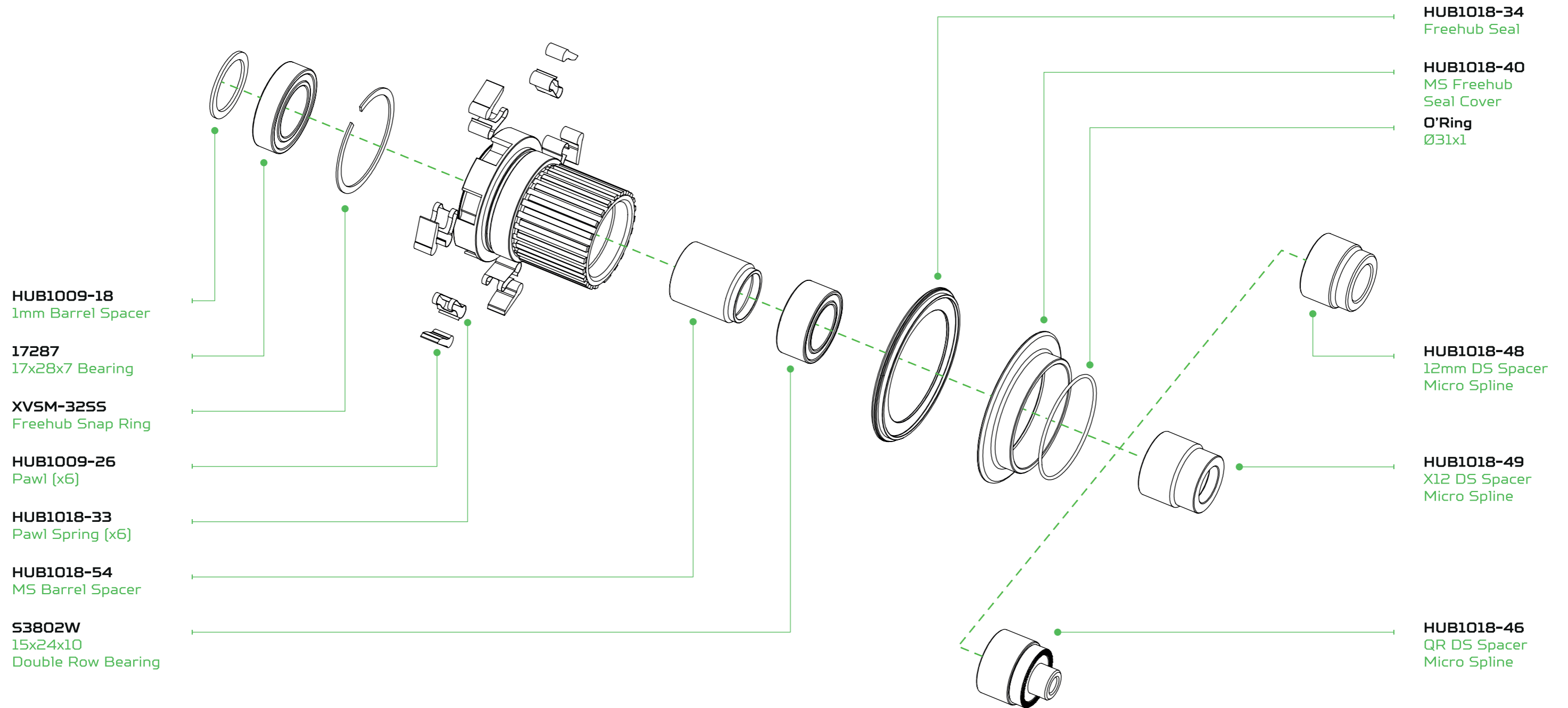
PRO5 FREEHUB ASSEMBLY HG_108

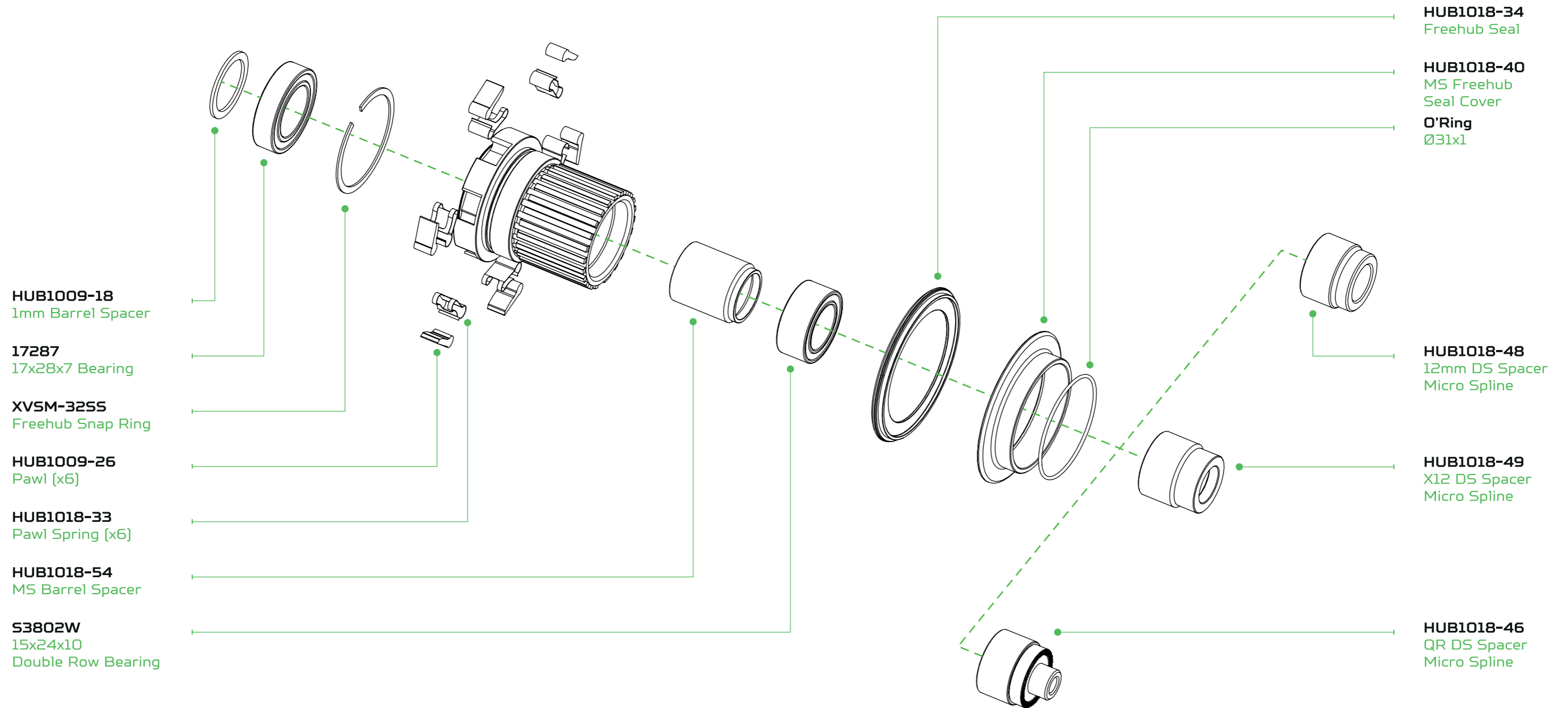
PRO5



REF: HUB551



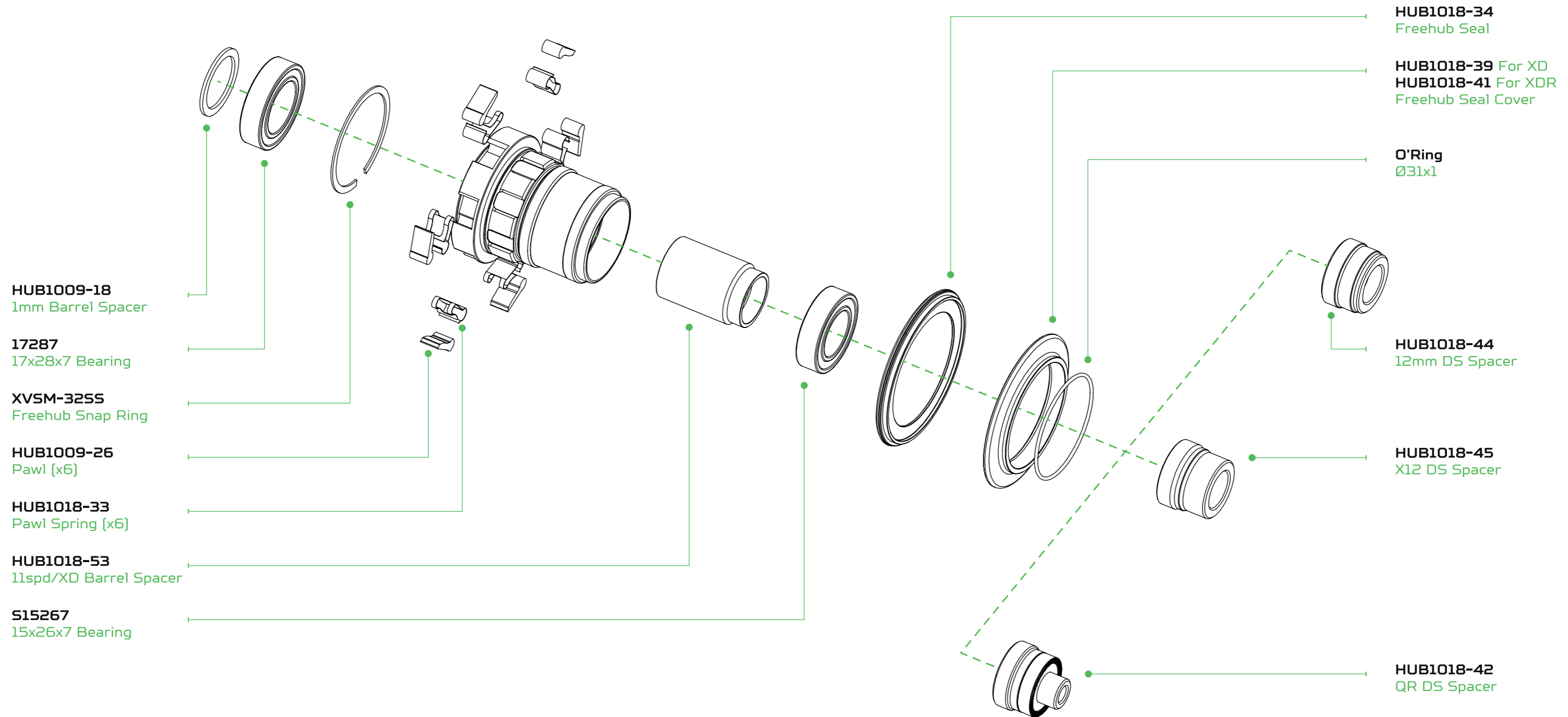




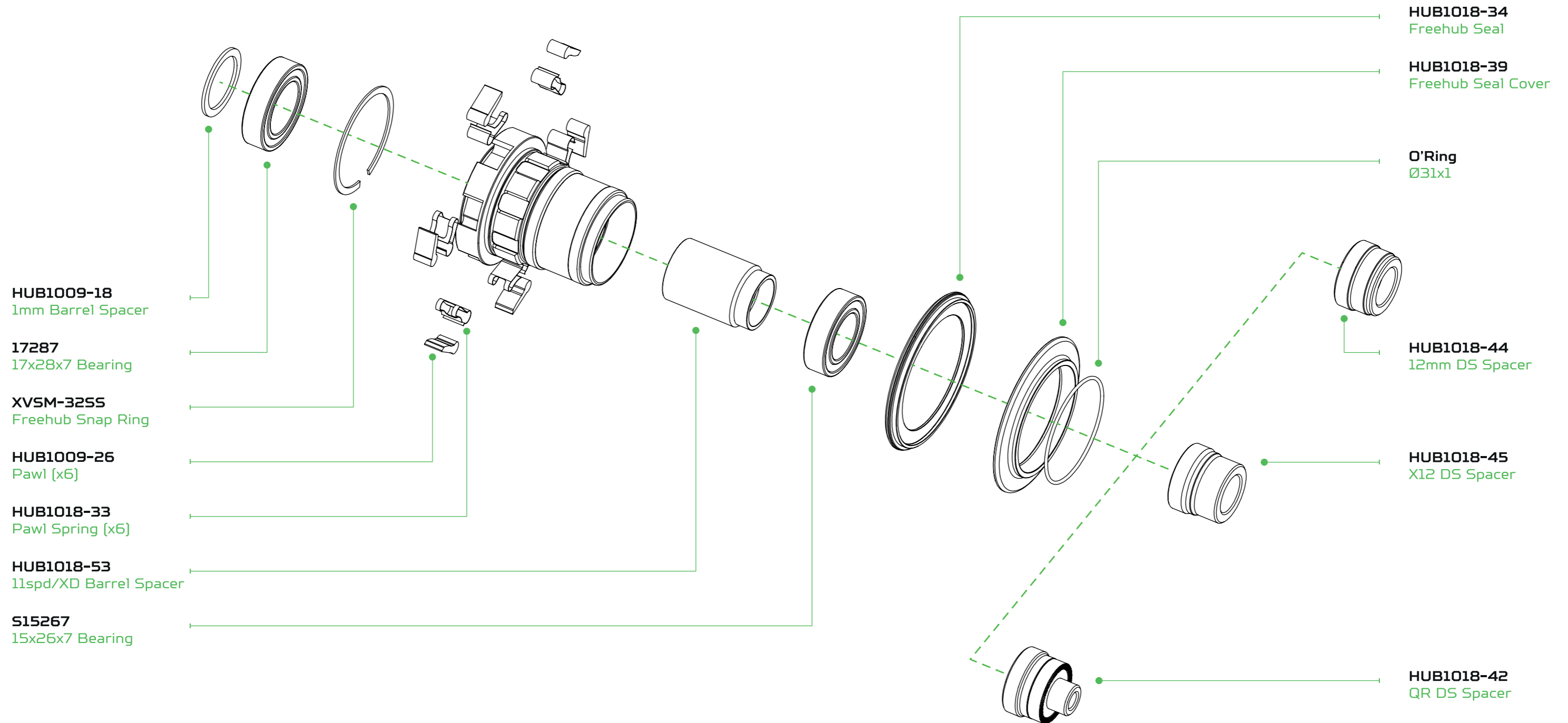


PRO5 FREEHUB ASSEMBLY XD/XDR_108

PRO5



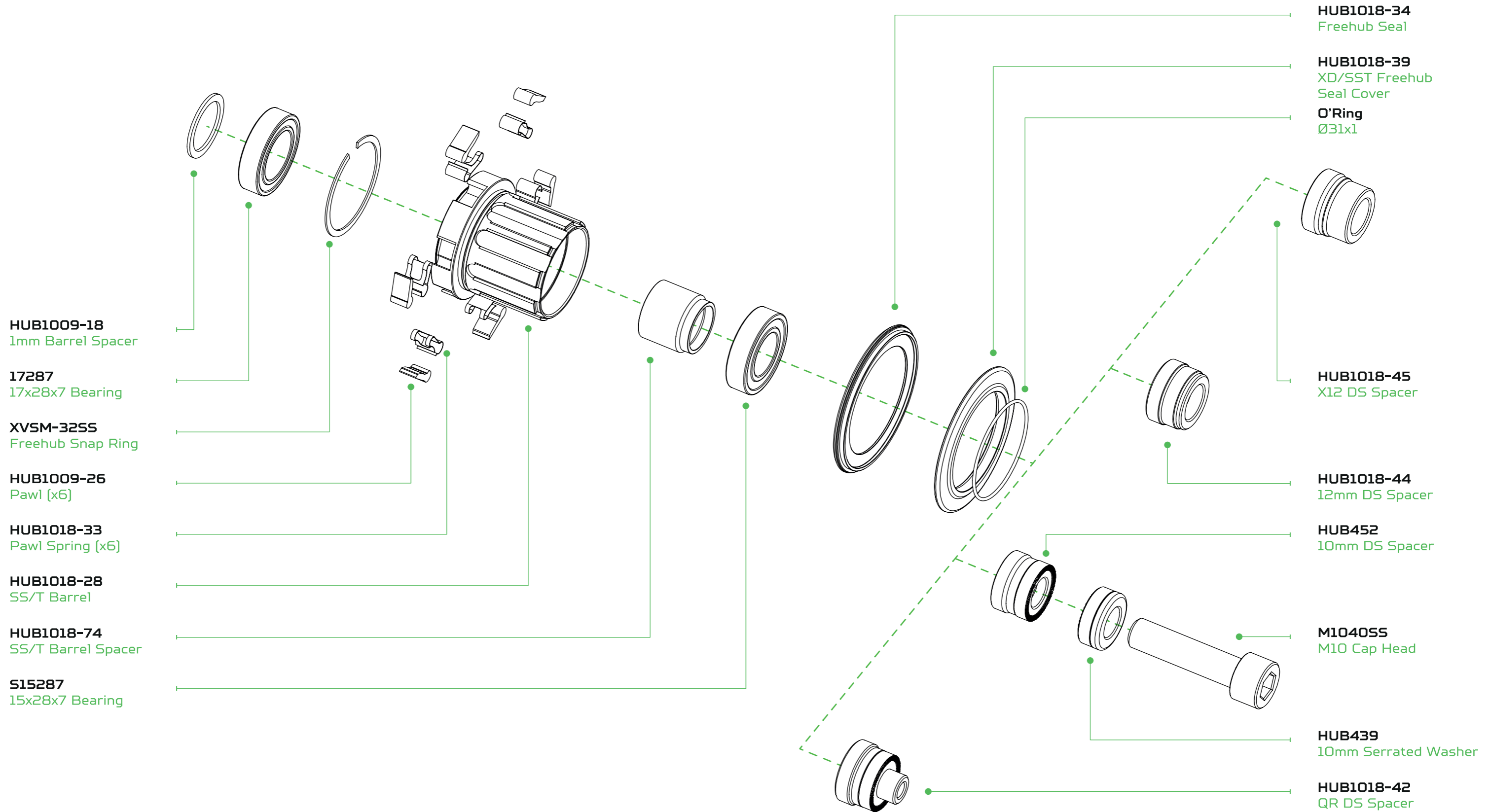
REF: HUB552 FOR XD
REF: HUB555 FOR XDR





PRO5 FREEHUB ASSEMBLY SINGLE SPEED/TRIALS

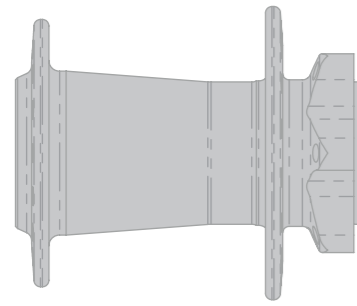
PRO5





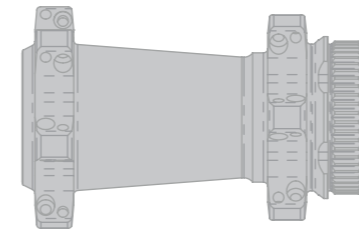
PRO5 HUB RANGE

PRO5



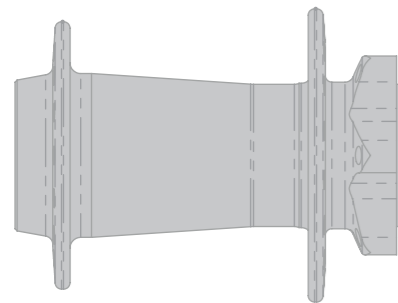
79.50mm

FRONT_100mm_6_BOLT		
SPACERS	HOLE DRILLNG	COLOUR
100 x 12, 100 x 15, 110 x 20, 100 x QR	24, 28, 32, 36	Red, Orange, Black, Silver, Purple, Blue



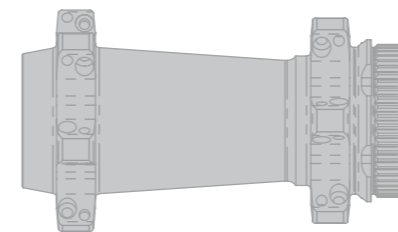
81.30mm

FRONT_100mm_CENTRE_LOCK_STRAIGHT_PULL		
SPACERS	HOLE DRILLNG	COLOUR
100 x 12, 100 x 15, 100 x QR	24	Red, Orange, Black, Silver, Purple, Blue



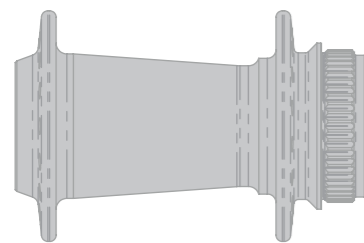
89.50mm

FRONT_110mm_6_BOLT		
SPACERS	HOLE DRILLNG	COLOUR
110 x 12, 110 x 15, 110 x 20, 110 x 15 TORQUE	24, 28, 32, 36	Red, Orange, Black, Silver, Purple, Blue



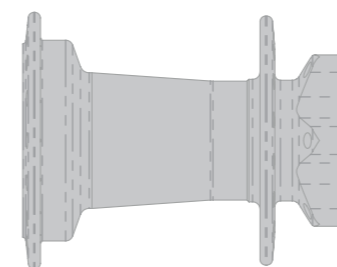
91.30mm

FRONT_110mm_CENTRE_LOCK_STRAIGHT_PULL		
SPACERS	HOLE DRILLNG	COLOUR
110 x 12, 110 x 15	24	Red, Orange, Black, Silver, Purple, Blue



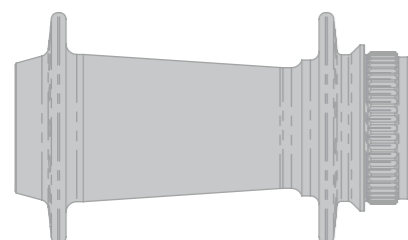
81.30mm

FRONT_100_CENTRE_LOCK		
SPACERS	HOLE DRILLNG	COLOUR
100 x 12, 100 x 15, 100 x QR	24, 28, 32, 36	Red, Orange, Black, Silver, Purple, Blue



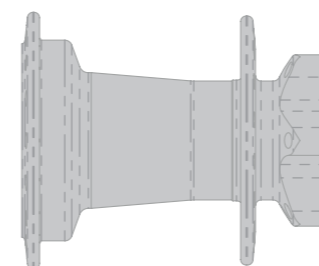
88.85mm

REAR_SINGLE_SPEED_TRIALS			
SPACERS	FREEHUB	HOLE DRILLNG	COLOUR
135 x 10 BOLT IN, 135 x 12, 142 x 12	TRIALS	32, 36	Red, Orange, Black, Silver, Purple, Blue



91.30mm

FRONT_110_CENTRE_LOCK		
SPACERS	HOLE DRILLNG	COLOUR
100 x 12, 100 x 15, 100 x QR	24, 28, 32, 36	Red, Orange, Black, Silver, Purple, Blue



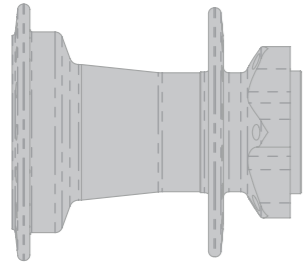
83.85mm

REAR_148mm_6_BOLT_E_BIKE_SPECIFIC			
SPACERS	FREEHUB	HOLE DRILLNG	COLOUR
148 x 12	HG_STEEL, XD_STEEL, MS_STEEL	32	Red, Orange, Black, Silver, Purple, Blue



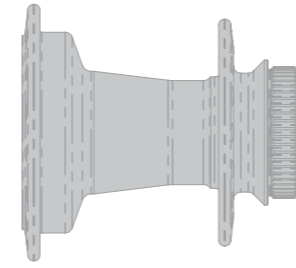
PRO5 HUB RANGE

PRO5



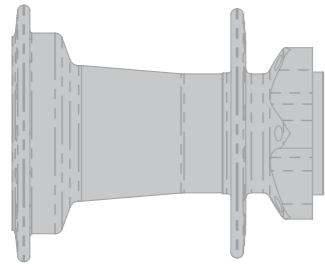
77.85mm

REAR_135mm_6_BOLT			
SPACERS	FREEHUB	HOLE DRILLNG	COLOUR
135 x 12, 142 x 12 135 x QR	HG, XD, XDR, CAMPAG, MS, HG_STEEL (54)	24, 28, 32, 36	Red, Orange, Black, Silver, Purple, Blue



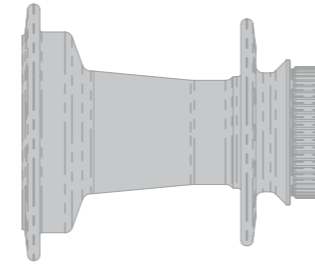
76.50mm

REAR_135mm_CENTRE_LOCK			
SPACERS	FREEHUB	HOLE DRILLNG	COLOUR
135 x 12, 142 x 12 135 x QR	HG, XD, XDR, CAMPAG, MS, HG_STEEL (54)	24, 28, 32, 36	Red, Orange, Black, Silver, Purple, Blue



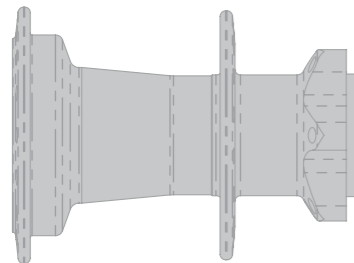
83.85mm

REAR_148mm_6_BOLT			
SPACERS	FREEHUB	HOLE DRILLNG	COLOUR
148 x 12	HG, XD, XDR, CAMPAG, MS, HG_STEEL (54)	24, 28, 32, 36	Red, Orange, Black, Silver, Purple, Blue



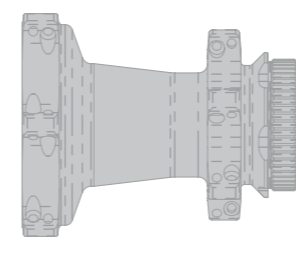
82.50mm

REAR_148mm_CENTRE_LOCK			
SPACERS	FREEHUB	HOLE DRILLNG	COLOUR
148 x 12	HG, XD, XDR, CAMPAG, MS, HG_STEEL (54)	24, 28, 32, 36	Red, Orange, Black, Silver, Purple, Blue



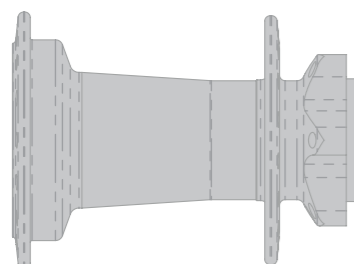
92.85mm

REAR_150mm_6_BOLT			
SPACERS	FREEHUB	HOLE DRILLNG	COLOUR
150 x 12, 157 x 12	HG, XD, MS, HG_STEEL (54)	32, 36	Red, Orange, Black, Silver, Purple, Blue



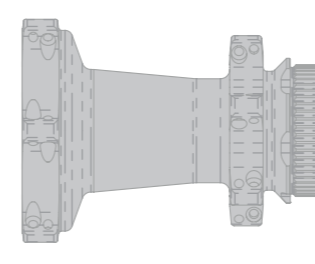
76.50mm

REAR_135mm_CENTRE_LOCK_STRAIGHT_PULL			
SPACERS	FREEHUB	HOLE DRILLNG	COLOUR
135 x 12, 142 x 12 135 x QR	HG, XD, XDR, CAMPAG, MS, HG_STEEL (54)	24	Red, Orange, Black, Silver, Purple, Blue



92.85mm

REAR_157mm_SUPER_BOOST_6_BOLT			
SPACERS	FREEHUB	HOLE DRILLNG	COLOUR
157 x 12	HG, XD, MS, HG_STEEL (54)	28, 32	Red, Orange, Black, Silver, Purple, Blue



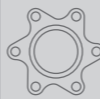



82.50mm

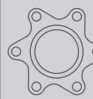


REAR_148mm_CENTRE_LOCK_STRAIGHT_PULL			
SPACERS	FREEHUB	HOLE DRILLNG	COLOUR
148 x 12	HG, XD, XDR, CAMPAG, MS, HG_STEEL (54)	24	Red, Orange, Black, Silver, Purple, Blue

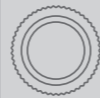





PRO5 HUB CONVERSIONS



FRONT_HUB_SHELL		FRONT_SIX_BOLT		
100	110	Part No.	Conversion Kit	
100 x QR		HUB419	Pro 5 6B Front Conversion - QR	
100 x 12mm	110 x 12mm	HUB482	Pro 5 6B Front Conversion - 12mm	
100 x 15mm	110 x 15mm	HUB441	Pro 5 6B Front Conversion - 15mm	
100 x 15mm	110 x 15mm	HUB485	Pro 5 6B Front Conversion - 15mm TORQUE	
110 x 20mm		HUB420	Pro 5 6B Front Conversion - 20mm	
	110 x 20mm	HUB494	Pro 5 6B Front Conversion - 20mm BOOST	

REAR_HUB_SHELL			REAR_SIX_BOLT		
135	148	150/157	Part No.	Conversion Kit	
135 x QR	141 x QR		HUB257	Pro 5 6B Rear Conversion - QR	
135 x 12mm		150 x 12mm	HUB258	Pro 5 6B Rear Conversion - 12mm	
142 x 12mm	148 x 12mm	157 x 12mm	HUB259	Pro 5 6B Rear Conversion - X12	


FRONT_HUB_SHELL		FRONT_CENTRE_LOCK		
100	110	Part No.	Conversion Kit	
100 x QR		HUB487	Pro 5 CL Front Conversion - QR	
100 x 12mm	110 x 12mm	HUB488	Pro 5 CL Front Conversion - 12mm	
100 x 15mm	110 x 15mm	HUB489	Pro 5 CL Front Conversion - 15mm	

REAR_HUB_SHELL		REAR_CENTRE_LOCK		
135	148	Part No.	Conversion Kit	
135 x QR	148 x QR	HUB260	Pro 5 CL Rear Conversion - QR	
135 x 12mm		HUB261	Pro 5 CL Rear Conversion - 12mm	
142 x 12mm	148 x 12mm	HUB262	Pro 5 CL Rear Conversion - X12	

PRO5_HUB_CONVERSION_TABLES

Hope hubs can easily be converted to fit different frames and forks.

Use this table to find your hub and the available conversion kits.

TRIALS_HUB_SHELL	REAR_SINGLE_SPEED/TRIALS		
TRIALS	Part No.	Conversion Kit	
135 x QR	HUB257	Pro 5 SS/T Rear Conversion - QR	
135 x 12mm*	HUB258	Pro 5 SS/T Rear Conversion - 12mm	
142 x 12mm*	HUB259	Pro 5 SS/T Rear Conversion - X12	
135 x 10mm BOLT IN	HUB266		

* Requires 12mm through axle HUB1018-625



PRO5
SERVICE TOOLS

PRO5

HUB	DISC SIDE		NON DISC SIDE	
	Part No.		Part No.	
Pro 5 6B Front (all shell widths)	HTT194	Pro 5 Front Bearing Press Tool	HTT194	Pro 5 Front Bearing Press Tool
Pro 5 CL Front (all shell widths)	HTT194	Pro 5 Front Bearing Press Tool**	HTT194	Pro 5 Front Bearing Press Tool**
Pro 5 6B Rear (all shell widths)	HTT196	Pro 5 Rear Bearing Press Tool Short	HTT195	Pro 5 Rear Bearing Press Tool Long
Pro 5 CL Rear (all shell widths)	HTT196	Pro 5 Rear Bearing Press Tool Short**	HTT195	Pro 5 Rear Bearing Press Tool Long**
HG Freehub	HTT197	Pro 5 Freehub Bearing Press Tool Long	HTT199	Pro 5 Freehub Bearing Press Tool Short 11spd
XD Freehub	HTT197	Pro 5 Freehub Bearing Press Tool Long	HTT198	Pro 5 Freehub Bearing Press Tool Short MS/XD
MS Freehub	HTT197	Pro 5 Freehub Bearing Press Tool Long	HTT198	Pro 5 Freehub Bearing Press Tool Short MS/XD

*All tools included in Pro 5 Tool Kit HTTPRO5

**Tool used on small end for CL hubs