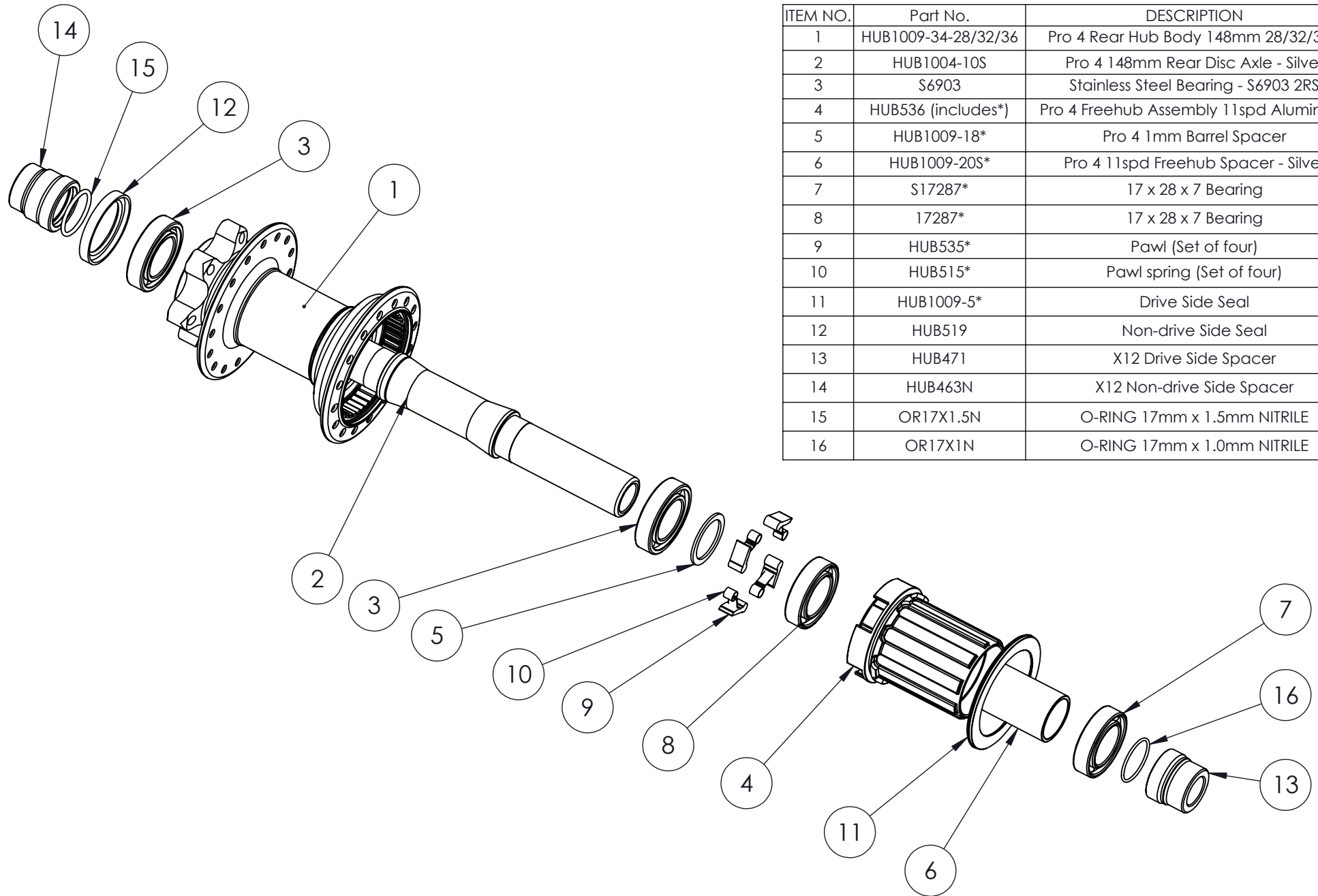


HOPE TECHNOLOGY PRO 4 148 REAR HUB ASSEMBLY



ITEM NO.	Part No.	DESCRIPTION	QTY.
1	HUB1009-34-28/32/36	Pro 4 Rear Hub Body 148mm 28/32/36H	1
2	HUB1004-10S	Pro 4 148mm Rear Disc Axle - Silver	1
3	S6903	Stainless Steel Bearing - S6903 2RS	2
4	HUB536 (includes*)	Pro 4 Freehub Assembly 11spd Aluminium	1
5	HUB1009-18*	Pro 4 1mm Barrel Spacer	1
6	HUB1009-20S*	Pro 4 11spd Freehub Spacer - Silver	1
7	S17287*	17 x 28 x 7 Bearing	1
8	17287*	17 x 28 x 7 Bearing	1
9	HUB535*	Pawl (Set of four)	1
10	HUB515*	Pawl spring (Set of four)	1
11	HUB1009-5*	Drive Side Seal	1
12	HUB519	Non-drive Side Seal	1
13	HUB471	X12 Drive Side Spacer	1
14	HUB463N	X12 Non-drive Side Spacer	1
15	OR17X1.5N	O-RING 17mm x 1.5mm NITRILE	1
16	OR17X1N	O-RING 17mm x 1.0mm NITRILE	1